



WarpMaster

Maximum flexibility in automatic drawing-in

GROZ-BECKERT®

Groz-Beckert KG

Parkweg 2, 72458 Albstadt, Germany
Phone +49 7431 10-0, Fax +49 7431 10-2777
contact-weaving@groz-beckert.com
www.groz-beckert.com

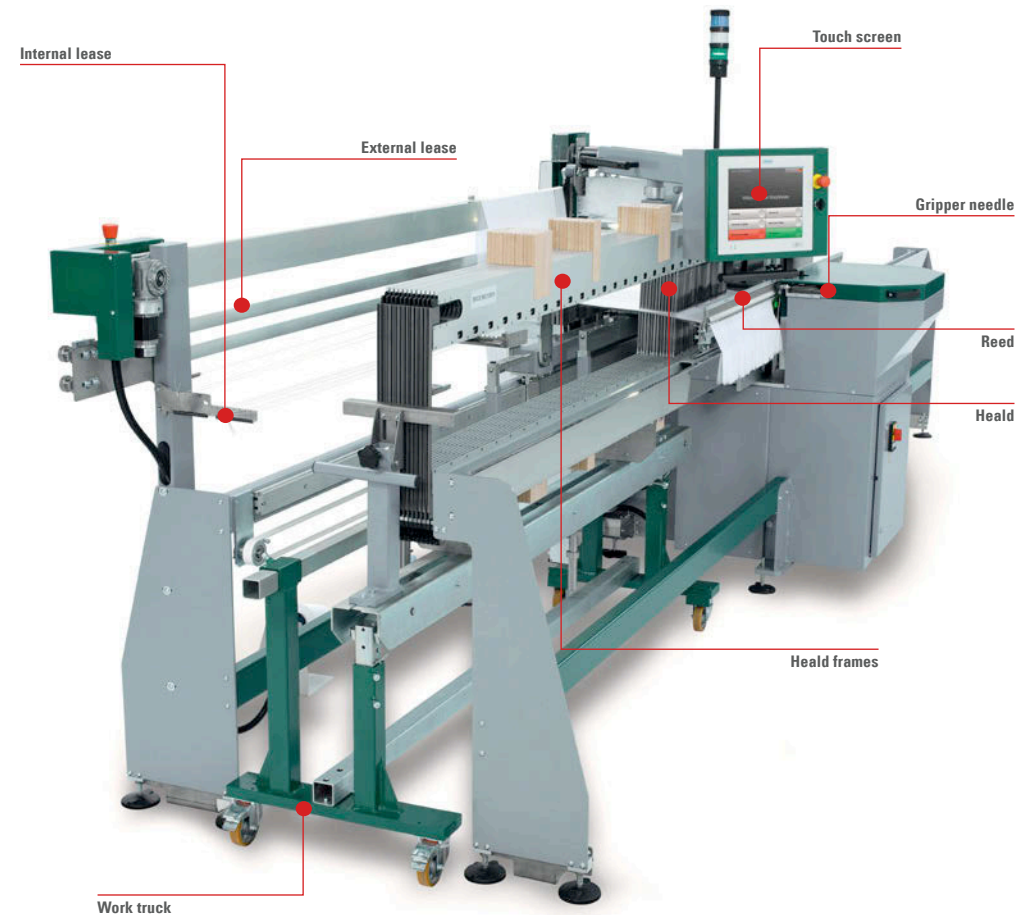
WarpMaster is easy to operate and reset because the yarn supply is from a single cone that goes through the drop wire, heald and reed. The design concept enables drawing-in process independent of the warp beam. The effect: maximum flexibility with minimum setting requirements.

Customer benefits

- Maximum production flexibility
- Critical warp yarns do not cause any problem during the drawing-in process because the yarn supply is from a single cone
- Minimum space requirements for the machine and storage of drawn patterns
- Minimum training requirements for operating and maintenance personnel
- Easy operation – with aid of sensors and video support
- Low energy consumption

Machine control and programming

The WarpMaster is operated using a touch screen monitor. This monitor supports the operator as the required work steps can be visualized in short films

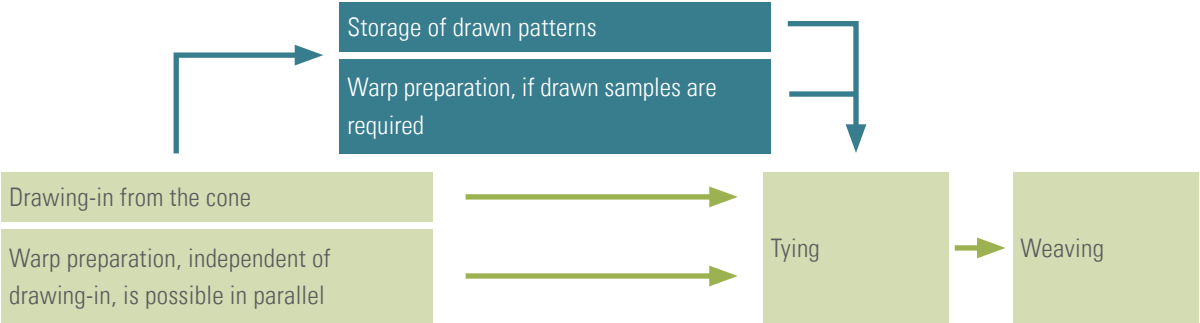
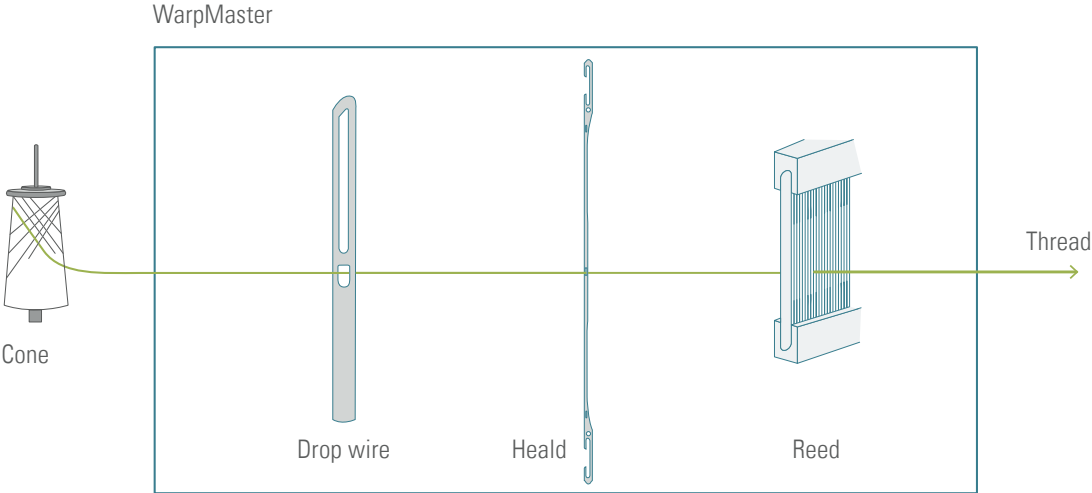


Drawing-in principle

Advantages:

- Drawing-in is possible prior to the availability of the warp beam
- Possibility to store drawn patterns before warp beams are available
- Improved weaving machine access to the weaving machine, especially advantageous when space is limited
- Easy handling and transportation of drawn harness, especially advantageous when space is limited

Maximum flexibility



Specifications

Type	2400	4000
External dimensions WarpMaster	Length: 6.20 m	Length: 9.40 m
	Depth: 1.95 m	Depth: 1.95 m
	Height: 1.95 m	Height: 1.95 m
External dimensions work truck	Length: 2.65 m	Length: 4.25 m
	Depth: 0.70 m	Depth: 0.70 m
	Height: 1.35 m	Height: 1.35 m
Space requirement WarpMaster and work truck	3.4 m x 10 m	3.4 m x 15 m
Weight of WarpMaster	approx. 860 kg	approx. 1150 kg
Weight of work truck	approx. 250 kg	approx. 320 kg
Minimum space requirement	25 m ²	36 m ²
Compressed air	no	no
Power supply	110~240 VAC	110~240 VAC
	50~60 Hz	50~60 Hz
	below 1.65 KVA	below 1.65 KVA

KnotPointPlus

Enables warp knotting and pulling through of pattern created by the WarpMaster outside the weaving machine.

